



Elmo Digital Presenter Quick Guide

Plano ISD Instructional Technology

Support

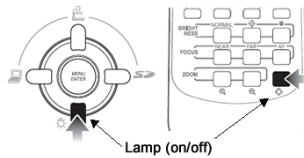
Don Dempsey 28059
Dana Adams 28092

Turning On and Selecting Projector Source

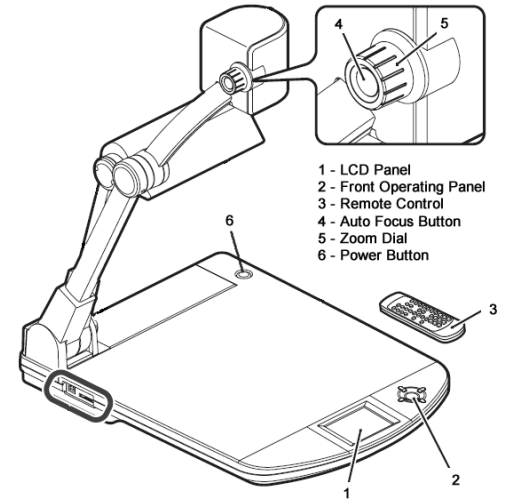
1. Locate and press the power button on the ELMO (see 6 on diagram).
2. Turn on your projector and select the **S-Video** source.

Elmo Basic Operation

Turning the Lamp On/Off



- You can turn the lamp on/off from the front operating panel or from the remote control (see diagram below). The lamp may not be needing at times depending on lighting in the room.



- 1 - LCD Panel
- 2 - Front Operating Panel
- 3 - Remote Control
- 4 - Auto Focus Button
- 5 - Zoom Dial
- 6 - Power Button

Using the Zoom

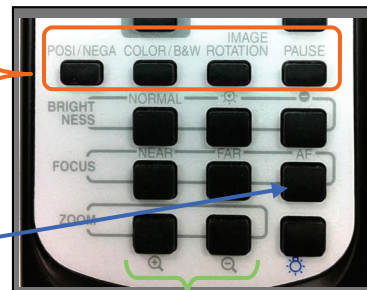
- Turn the zoom dial (see 5 on diagram) or press the +/- buttons on the remote control.

Using Auto Focus

- Push the Auto Focus button (see 4 on diagram) or the AF button on the remote control.

Using the Remote Control

- POSI/NEGA - reverses white & black colors.
- COLOR/B&W - alternate between color or B&W image.
- IMAGE ROTATION - rotate the projected image 180°.
- PAUSE - freezes the image allowing you to remove the document (*only works with the S-Video source*).
- AF (auto focus) - auto focus the image.
- Zoom (+ or -) - zoom in or out with the remote.



Using the VCR (if available)

- The VCR will connect to the switch plate using a yellow RCA component video cable.
- You will use the **Video** source on the projector to view videos from the VCR.



Elmo Image Mate Software

Quick Guide

Plano ISD Instructional Technology

Support

| | |
|-------------|-------|
| Don Dempsey | 28059 |
| Dana Adams | 28092 |

Accessing the Elmo Software

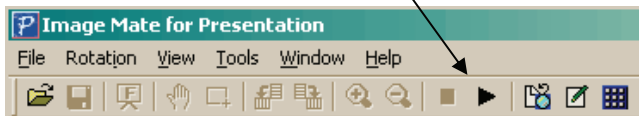
1. Turn on your projector and select the **Computer** button on the projector remote control.
2. Turn on the Elmo.
3. Double-click the **Elmo Image Mate** icon in the **Administrative Tools** folder in your Application Launcher.



Using the Elmo Image Mate Software

Viewing the Elmo on your computer

- Press the **Play** button on the toolbar to begin viewing your document. Your document will appear on your computer screen.



Using Full Screen Mode

- Press the **Full Screen** button on the toolbar to switch to full viewing mode.
- Press the **Esc** key on the keyboard to exit full screen mode.



Still Capture

- Press the **camera** button on the toolbar to take a still capture of your document. A second window will open with the still capture image. This image can be saved as a picture (.jpg) file and can be inserted into a Word Document (etc.).

Using the Remote Control toolbar (optional)

The remote control toolbar can be used while viewing your document in full screen mode to adjust brightness, focus and zoom instead of using the regular Elmo remote control.

- Press the **Remote Control** button on the toolbar to view the remote control toolbar.

